

DATA SHEET MUSHROOM ROOF LETUS

Text for invitation to tender | Item No: 51 5518 401

MATERIALS | SCOPE OF SUPPLY

Roof, pre-mounted completely

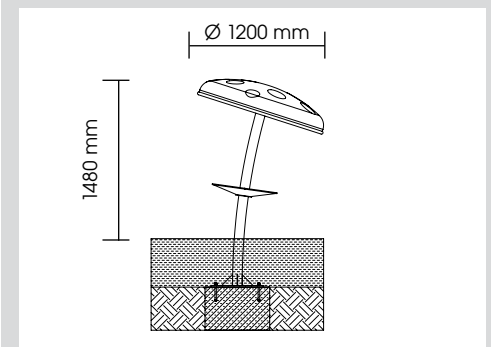
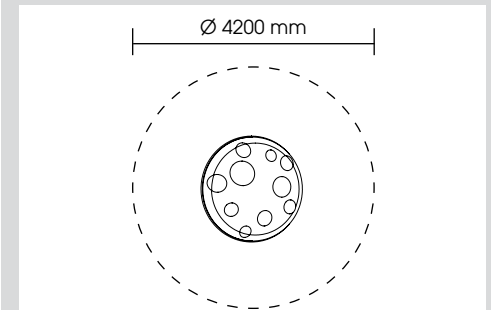
Tubular frame:	stainless steel, V2A, 1 piece
Roof:	steel, coated, 1 piece
Bowl:	stainless steel, V2A, 1 piece
Foundation plates:	steel, coated

TECHNICAL INFORMATION

Dimensions:

Main dimension:	Ø 1200 mm
Height:	1480 mm
Weight:	146 kg
Capacity:	acc. to normative requirements
Dimension largest piece:	Ø 1200 x 1930 mm
Heaviest piece:	146 kg

Max. fall height:	-
Minimum space:	13,85 m ²
Recommended surface material:	optional



INSTALLATION

Foundations: 1

Modified installation depth possible
(special edition)

Installation according to our detailed mounting
instructions, see www.stilum.com

